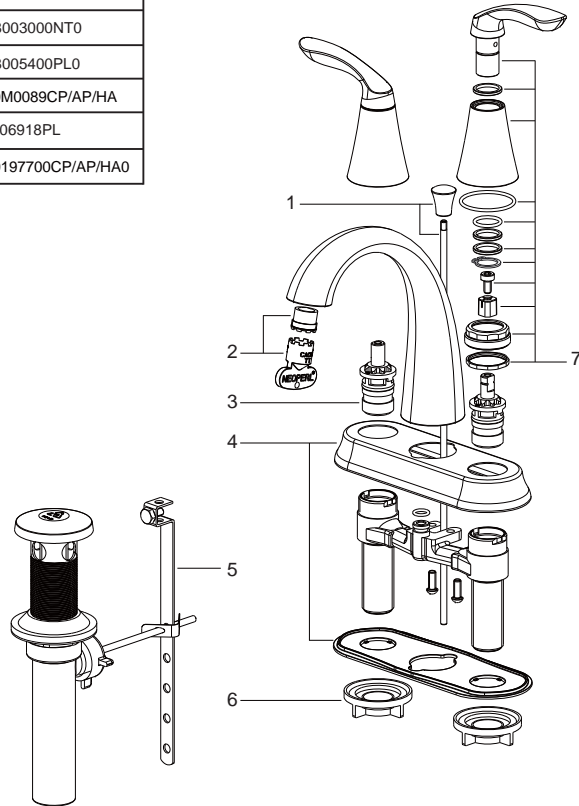


UF46310  
UF46313  
UF46315

No.	Description	Part No.
1	Lift Rod	5Y0197800CP/AP/HA0
2	Aerator Assembly	9Q252500PL
3	Cartridge	5D8003000NT0
4	Deck Plate Assembly	5D8005400PL0
5	Pop-Up Assembly	5Y0M0089CP/AP/HA
6	Mounting Nut	52006918PL
7	Handle Assembly	5Y0197700CP/AP/HA0



### Limited Lifetime Warranty

Ultra Faucets warrants to the original purchaser that its products will be free from defects in workmanship and materials. All Ultra Faucets are provided with a life time limited warranty. This warranty does not cover any other labor or service charges associated with the removal, repair, or reinstallation of Ultra Faucets products. This express warranty does not apply to products that have been damaged as a result of misuse, abuse, negligence, accident, faulty installation or maintenance practices and/or used in any manner contrary to those recommended by the manufacturer.

**Need help?** Please call our toll-free customer service line at 1-888-658-5872 for additional assistance or service.

**Besoin d'aide?** Veuillez communiquer avec notre service à la clientèle au numéro gratuit 1-888-658-5872 pour tous renseignements ou services complémentaires.

**¿Requiere asistencia?** Llame a nuestro Servicio al Cliente, sin costo, al 1-888-658-5872 para asistencia adicional o servicio.

# Stiletto Collection

## Two-Handle Centerset Lavatory Faucet



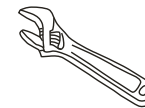
## Installation/Installation/Instalación

**CUSTOMER SERVICE**  
**TOLL-FREE 1-888-OK-ULTRA (658-5872)**

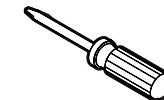


UF46310 - Polished Chrome  
UF46313 - PVD Brushed Nickel  
UF46315 - Oil Rubbed Bronze

### Tools You Will Need / Outils dont vous aurez besoin / Herramientas necesarias



Adjustable Wrench  
Clé à molette  
Llave ajustable



Phillips Screwdriver  
Tournevis Phillips  
Destornillador cruciforme



Pipe Tape  
Ruban pour tuyau  
Cinta selladora para rosca

### SAFETY TIPS

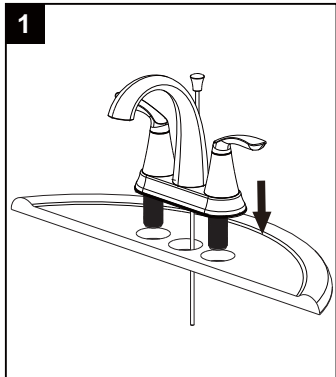
- If you use soldering for the installation of the faucet, the seats, cartridges and washers will have to be removed before using flame. Otherwise, warranty will be void on those parts.
- Cover your drain to avoid losing parts.
- 0°C~55°C.

### CONSIGNES DE SÉCURITÉ

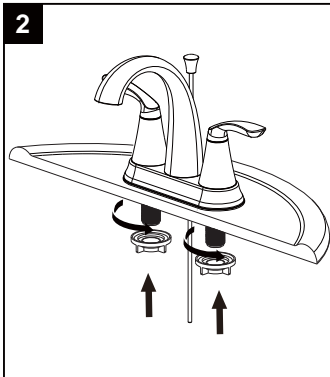
- Si vous posez le robinet par brasage, il est essentiel de retirer les sièges, les cartouches et les rondelles avant d'appliquer la flamme, faute de quoi la garantie sur ces pièces sera annulée.
- Couvrez le drain pour ne pas perdre des pièces.
- 0°C~55°C.

### CONSEJOS DE SEGURIDAD

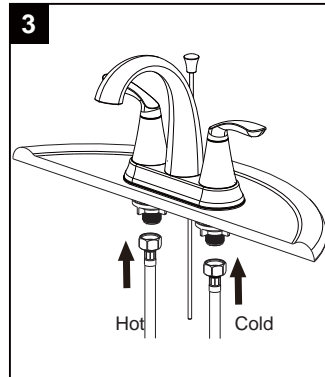
- En el caso de utilizar soldadura para instalar el grifo, remueva los asientos, cartuchos y arandelas antes de usar la llama. De lo contrario, se anulará la garantía para esos componentes.
- Tape la boca del desagüe para prevenir la pérdida de piezas pequeñas.
- 0°C~55°C.



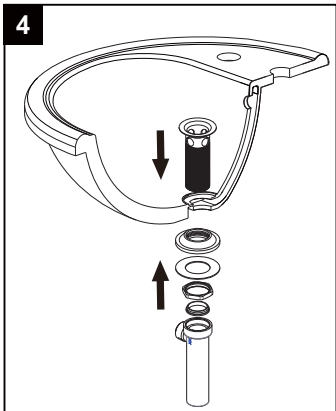
Lower spout into mounting hole.



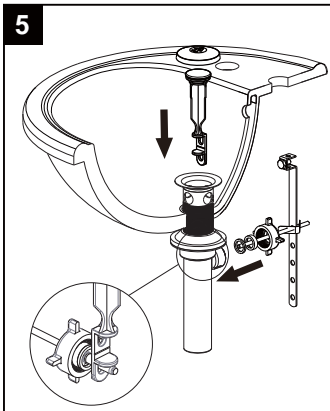
Carefully tighten spout nut to secure spout.



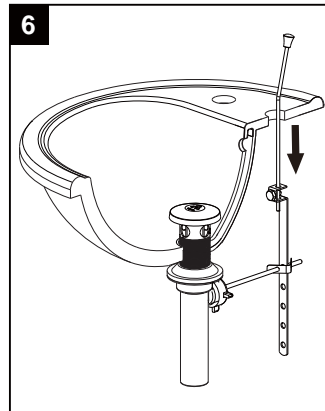
Install water inlet hoses.



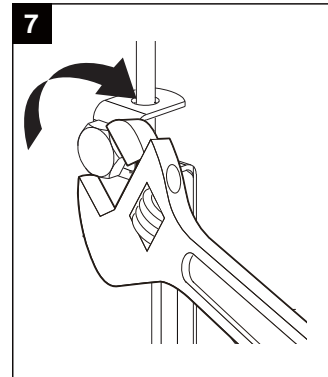
Slide drain trim and plug into drain hole and secure from below with washer and nut.  
Attach the drain tail piece to drain body.



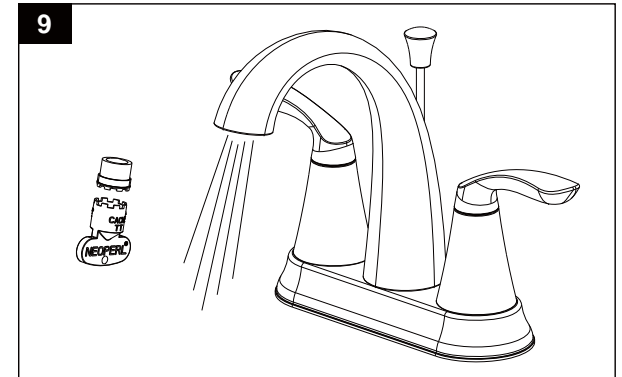
Install the drain stopper assembly and attach the movable rod assembly into the drain body.



Attach the lift rod to the strap.



Tighten the screw in the strap onto the lift rod.



Remove aerator with wrench and flush out debris. Reinstall aerator.